

# FE2owlet

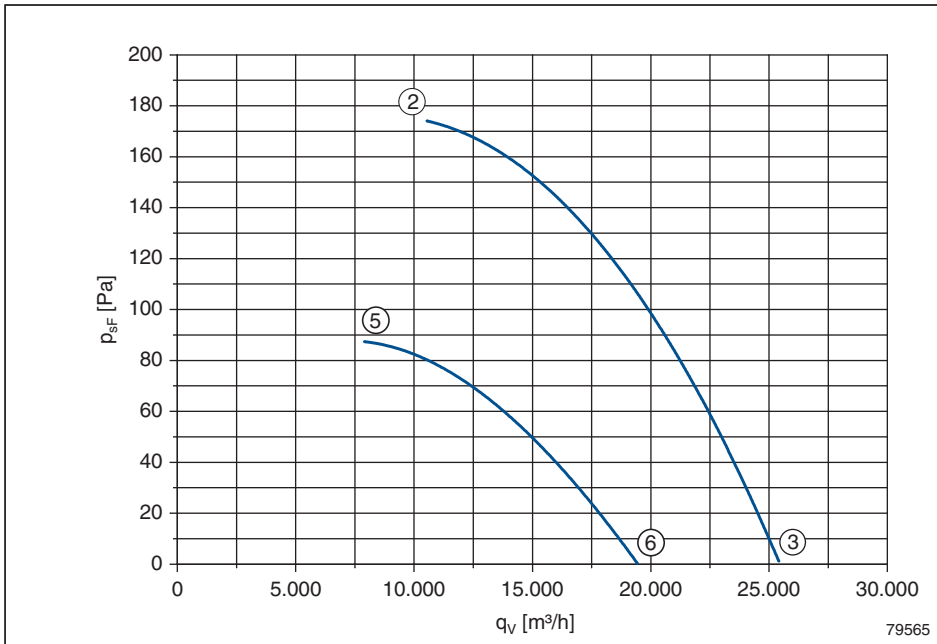
## FN080-SD\_6N.V7P2

### Leistungsdaten Performance data

3~ 400V ±10% Δ/Y 50Hz

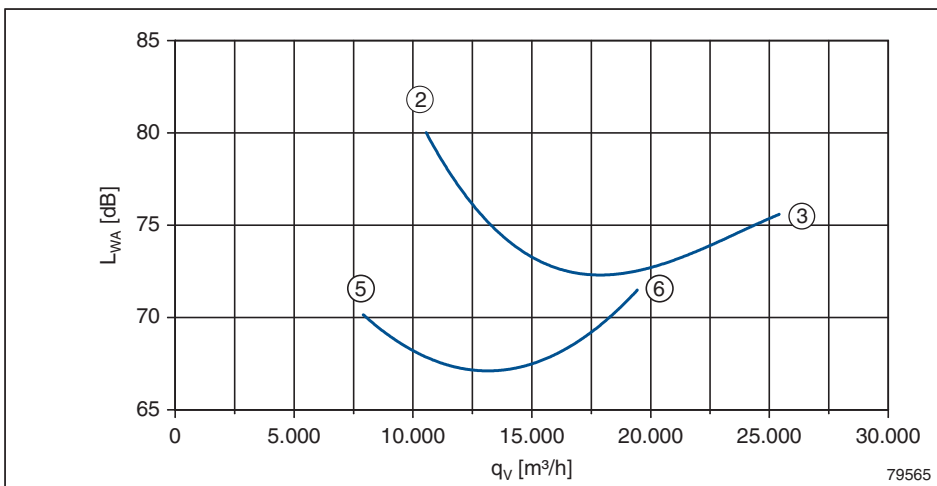
|            |          |                   |
|------------|----------|-------------------|
| $P_1$      | 2,1/1,15 | kW                |
| $I$        | 4,1/2,2  | A                 |
| $n$        | 860/620  | min <sup>-1</sup> |
| $I_A$      | 13,5/4,5 | A                 |
| $\Delta t$ | 0        | %                 |
| $t_R$      | 60       | °C                |

### Kennliniendaten Characteristic data



|   | U<br>V | I<br>A | P <sub>1</sub><br>W | n<br>min <sup>-1</sup> |
|---|--------|--------|---------------------|------------------------|
| ② | 400    | 4,10   | 2100                | 860                    |
| ③ | Δ      | 3,50   | 1620                | 900                    |
| ⑤ | 400    | 2,20   | 1150                | 620                    |
| ⑥ | Y      | 1,95   | 1040                | 690                    |

$$p_{d2} = 1,86 \cdot 10^{-7} \cdot q_v^2$$



gemessen in Voldüse ohne Berührschutz in Einbauart A nach ISO 5801  
measured in full bell mouth without guard grille in installation type A according to ISO 5801

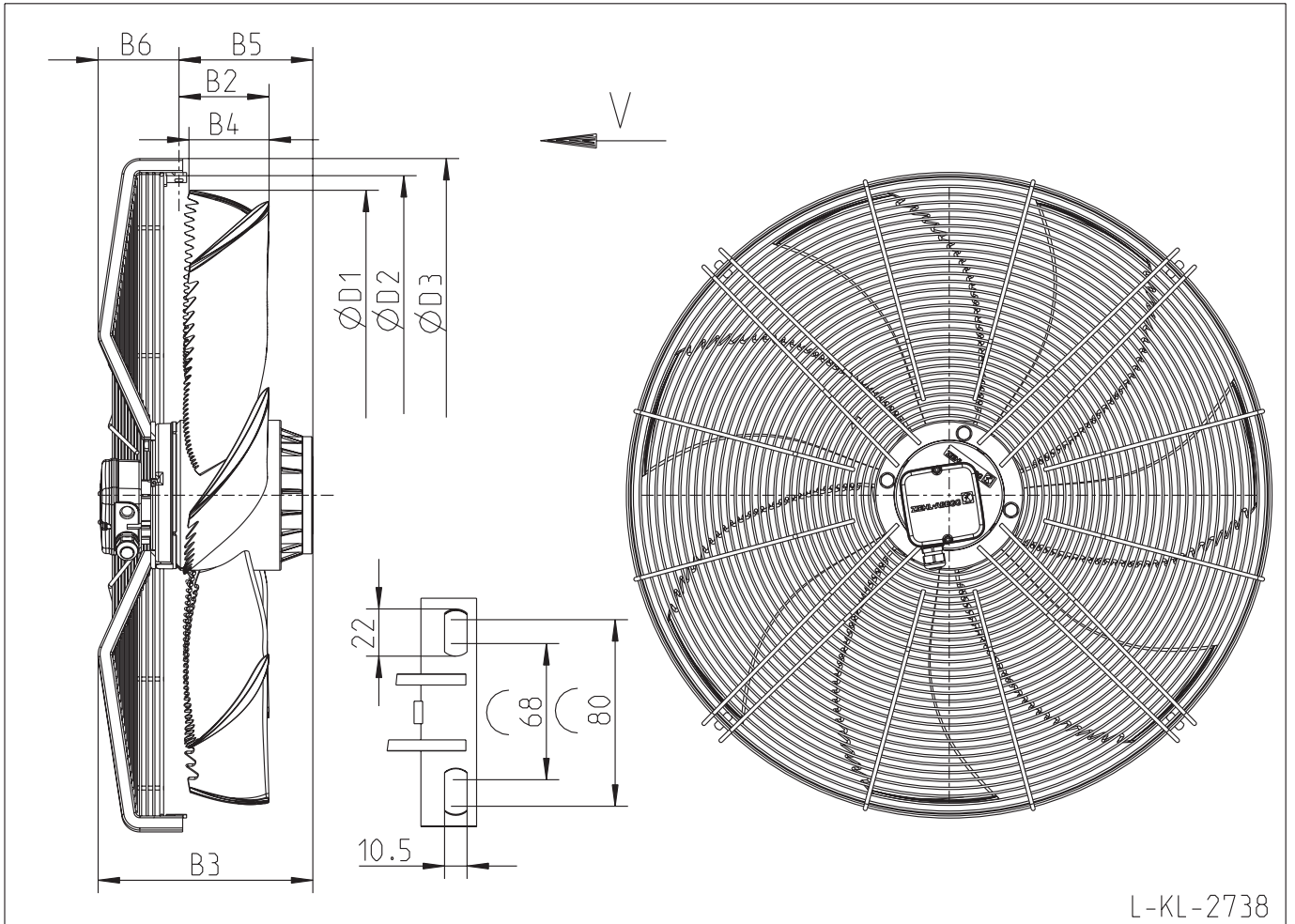
### Maßblatt / Dimension sheet

| Typ<br>Type       | Artikel-Nr.<br>Article no. | Bauform<br>Design | Luftförderrichtung<br>Airflow direction | Gewicht<br>Weight | Anschlussschaltbild<br>Connection diagram | Maßblatt<br>Dimension sheet | Seite<br>Page |
|-------------------|----------------------------|-------------------|---|-------------------|---|-----------------------------|---------------|
| FN080-SDA.6N.V7P2 | 141 676                    | A                 | V                                       | 28 kg             | 108XA                                     | L-KL-2737                   | 94            |
| FN080-SDS.6N.V7P2 | 141 677                    | S                 | V                                       | 34 kg             | 108XA                                     | L-KL-2738                   | 95            |
| FN080-SDQ.6N.V7P2 | 141 678                    | Q                 | V                                       | 45 kg             | 108XA                                     | L-KL-2739                   | 96            |
| FN080-SDF.6N.V7P2 | 141 679                    | F                 | V                                       | 47 kg             | 108XA                                     | L-KL-2815                   | 97            |

# FE2owlet

**FN080- DS.6 .V7P2**

|   |                               |
|---|-------------------------------|
| Luffförrichtung<br><i>Airflow direction</i>   | <b>V</b>                      |
| Bauform<br><i>Design</i>                      | <b>S</b>                      |
| Flügelmaterial<br><i>Material of impeller</i> | Aluminium<br><i>Aluminium</i> |



**FN  
080**

L-KL-2738

| Typ<br>Type              | Artikel-Nr.<br>Article no. | B2         | B3         | B4         | B5         | B6         | D1         | D2         | D3         |
|--------------------------|----------------------------|------------|------------|------------|------------|------------|------------|------------|------------|
| <b>FN080-SDS.6N.V7P2</b> | <b>141 677</b>             | <b>115</b> | <b>274</b> | <b>101</b> | <b>171</b> | <b>103</b> | <b>788</b> | <b>814</b> | <b>858</b> |
| FN080-ADS.6N.V7P2        | 141 652                    | 115        | 274        | 101        | 171        | 103        | 788        | 814        | 858        |
| FN080-NDS.6F.V7P2        | 141 653                    | 115        | 274        | 101        | 121        | 103        | 788        | 814        | 858        |